

EVERGlass Whiteboard Installation Instructions

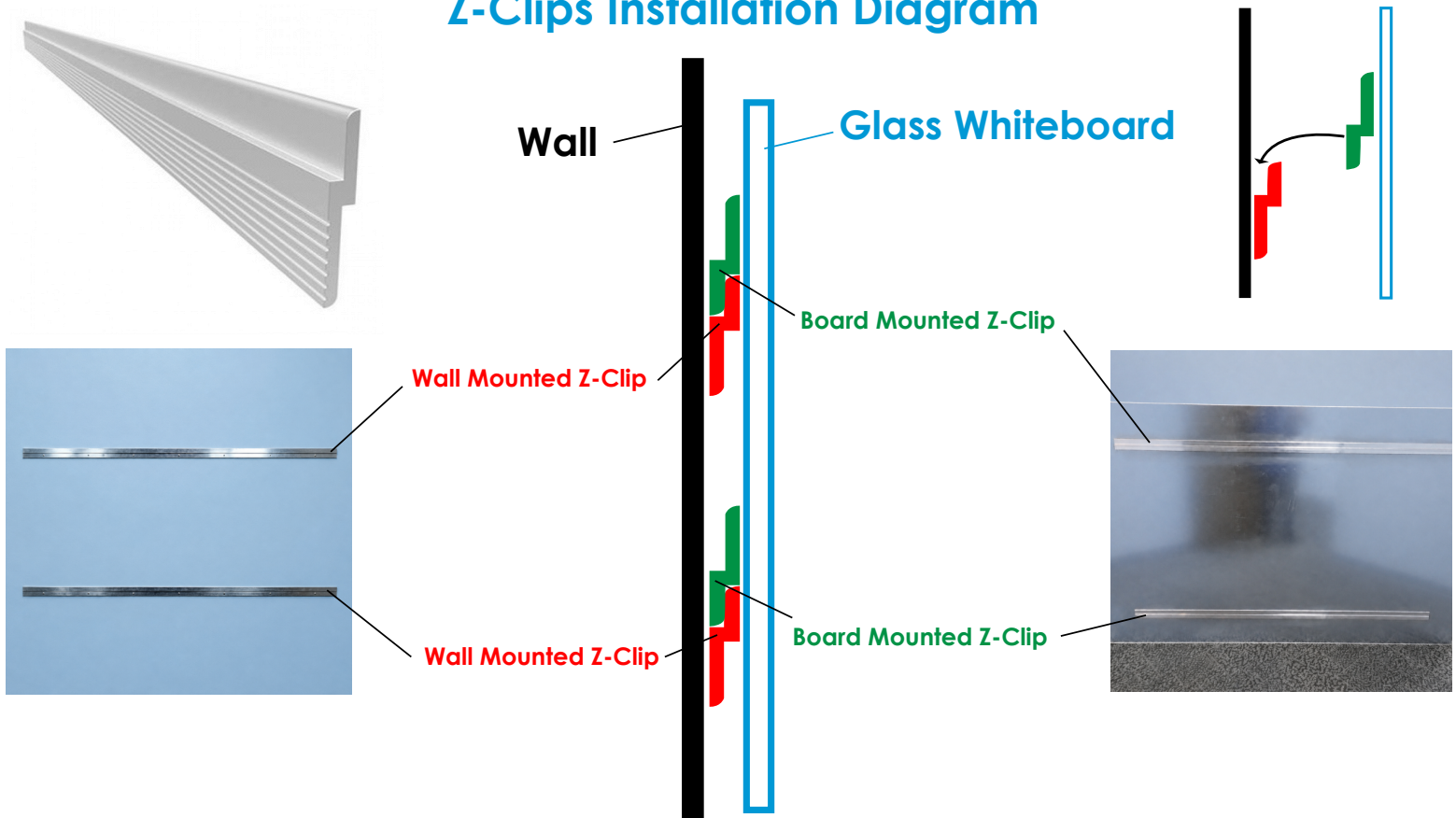
Recommended Equipment

- Pencil
- Level
- Tape Measure
- Drill
- #2 bit
- Step Ladder (2-3 steps)

Provided Equipment

- Glass Panel
- Brackets (2)
- 1 ¼" screws
- Wall Anchors

Z-Clips Installation Diagram



Install Instructions for hanging EVERGlass Boards with Z-Clips

IMPORTANT NOTE:

All glass installations should be carried out by two or more individuals.

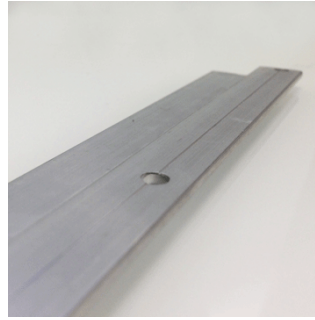
1 Use the correct mounting specification depending on the size and layout of your board. You may drill holes into the support bracket to install.

2 Cut tape around perimeter of box, do not cut box itself. Doing so risks damaging glass.

- 3 Remove cardboard template from inside box.



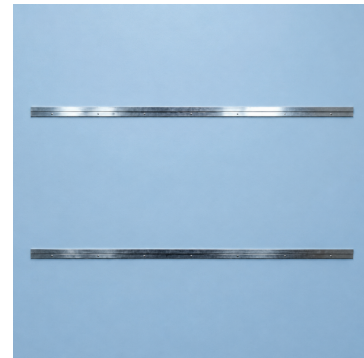
- 4 Remove wall mounted Z-Clips
(Z-Clips taped to metal side of board with pre-drilled holes).



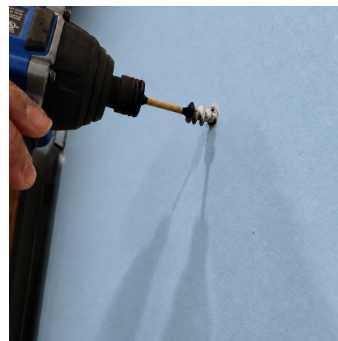
- 5 Position template in desired location on wall and secure with tape.

- 6 Mark the wall in the lower corners of each cutout then remove template from wall.

- 7 Position wall mounted Z-Clip so that the drilled holes are pressed against the wall and each lower corner is in line with marks made in step 5.

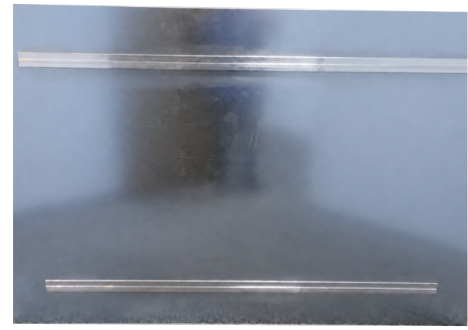


- 8 Secure wall mounted Z-Clip with screws.
(If Drywall anchors needed; mark hole locations, remove Z-Clip, drill and insert anchors, replace Z-Clip and secure with screws.)

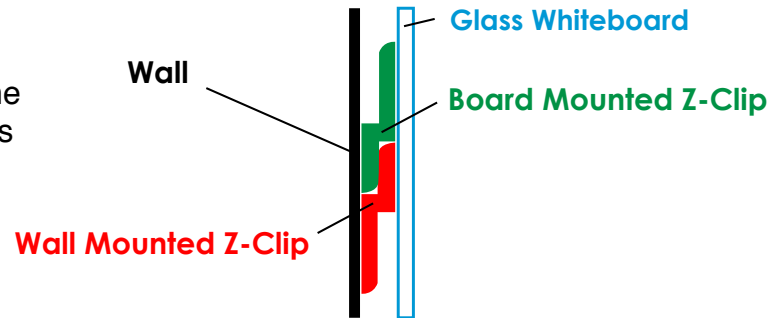


- 9 Repeat step 8 with other wall mounted Z-Clips, quantity varies depending on size of board.

- 10 Once wall mounted Z-Clips are attached to wall and secured, remove glass markerboard from box and remove any protective foam.



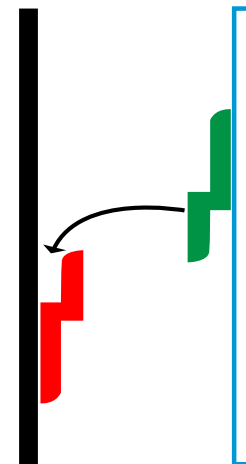
- 11 Position markerboard so that when mounted, the board z-clips interlock with wall mounted Z-Clips (Board Z-Clips raised portion facing down, wall mounted Z-Clips raised portion facing up)



- 12 Lift markerboard towards location of wall mounted Z-Clips, raising above desired mounting height.



- 13 Slowly lower board onto wall mounted Z-Clips so that both Z-Clips lock with each other.

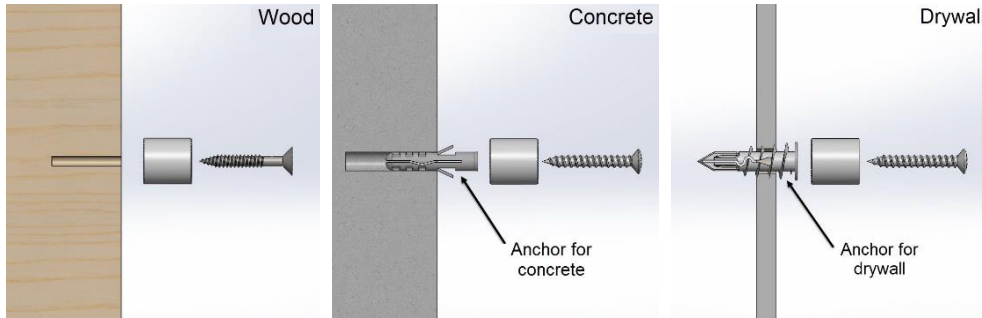


- 14 Confirm board is supported by all mounting points and is level.

Installation Guidelines

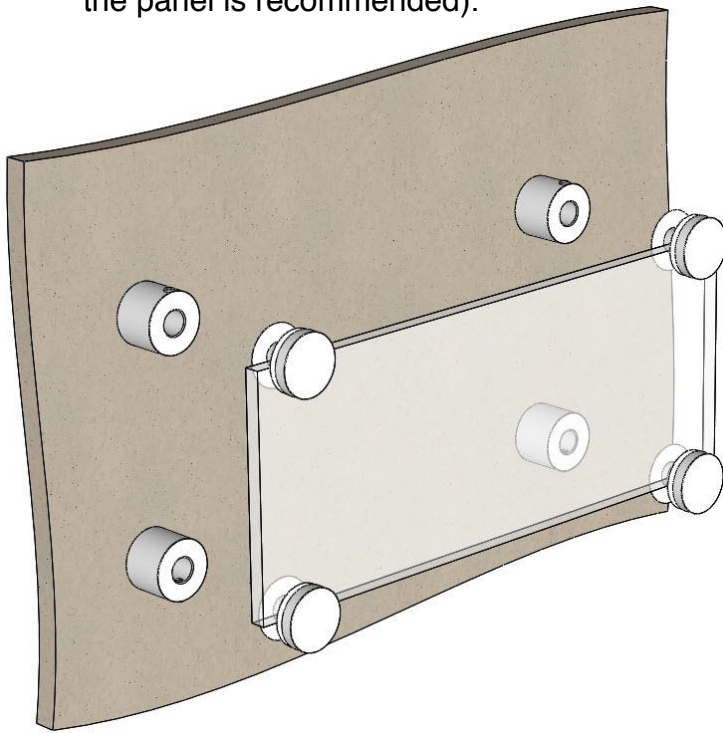
Edge Grip Standoffs

Installation Tips



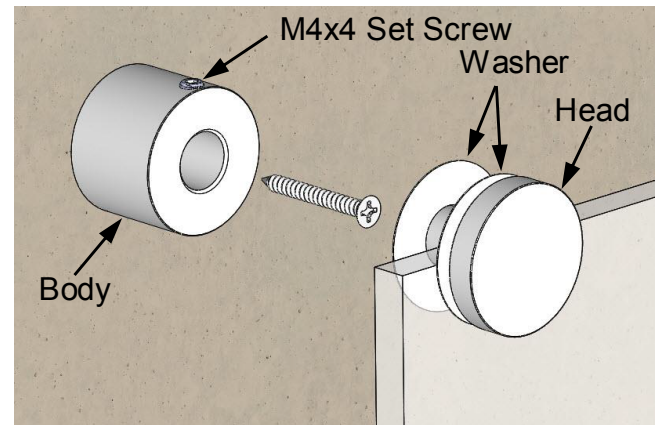
Always check the installation surface to ensure that the substrate will be strong enough to hold the weight of the panel. All installation must be done so with proper hardware and protective gears to ensure safety. It is important to check that parts are properly tightened at the end of each installation.

- 1 Using the panel as a template, mark the point on the installation surface for drilling. (Marking the grip locations on the panel is recommended).



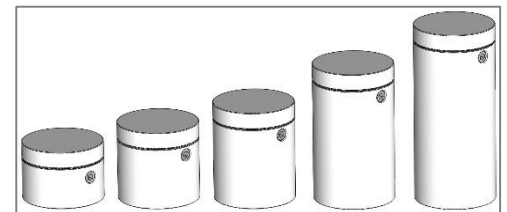
- 2 Install wall anchors. Use proper installation hardware

- 3 Install edge grips on the panels. Tighten the M4 set screw located inside the edge grip, after aligning the panels inside the edge grips.



- 4 Slide the grips/panel onto the anchors. Tighten the outside M4 set screw once all grips are seated flush against the anchors.

It might be easier to gently tighten the set screws first to hold the grips/panel in place before going back to the set screws to completely tighten them.



* Installation instructions apply to any of the sizes that are available.