

MOBILEGuard[®]

Ballistic Door Barrier

by EVERWhite

The MOBILEGuard Ballistic Door Barrier can be quickly deployed to deter intruders during lockdowns or other situations. The ballistic mobile whiteboard locks in place and completely covers common doorways. The Ballistic Door Barrier is part of the MOBILEGuard family of security equipment from EVERWhite.

FEATURES AND BENEFITS

Total Protection – Designed to completely cover classroom and office doorways; covered area is 85" high by 43" wide (common doorways are 80x36); gap at floor is just 0.6". With the MOBILEGuard Ballistic Door Barrier in place, intruders have no line of sight into the room.

High-Level Ballistic Resistance – Tested to meet the Level 3 bullet-resistance criteria of the National Institute of Justice, to stop multiple rounds from high calibre rifles; the interior quarter-inch steel armor extends to the corners and overlaps at the side panels and all edges.

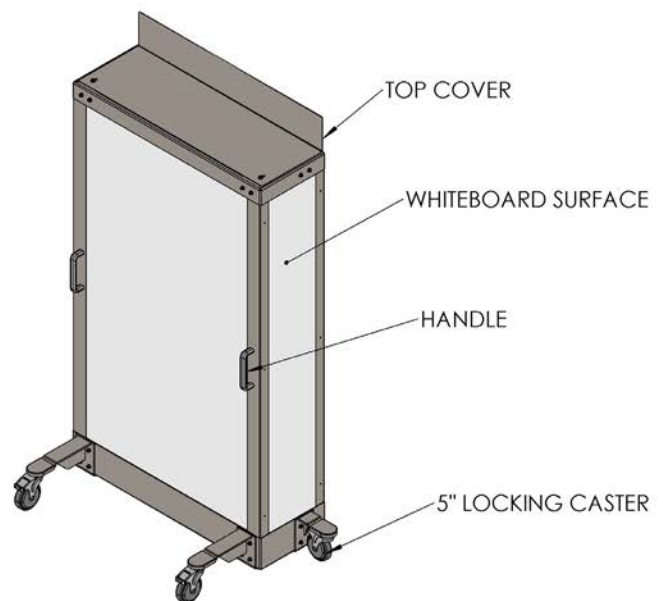
Deploys Fast – With its four 5-inch industrial casters, the MOBILEGuard Ballistic Door Barrier rolls easily. Two handles allow the barrier to be rolled into position in less than 20 seconds when it is stationed near a doorway.

Freestanding – The Ballistic Door Barrier offers protection without being physically attached to the door, door jamb or adjacent wall.

Steadfast Protection – When its casters are locked, the Ballistic Door Barrier fortifies a room.

Non-Staining Whiteboard Surfaces – Room-facing front and side panels of the Door Barrier have EVERWhite's dry erase surfaces that are guaranteed never to stain or ghost. The whiteboard surfaces are magnetic, expanding presentation and collaboration options.

Unobtrusive and High Value – With its whiteboard surfaces, the Door Barrier is unobtrusive as a security device, and can be used every day for presentations, notes and collaboration.



MOBILEGuard[®]

Ballistic Door Barrier
by EVERWhite

TECHNICAL SPECIFICATIONS

Height, floor to top of top plate = 85"

Height, floor to top plate = 78"

Width = 43"

Width including caster legs = 58.5"

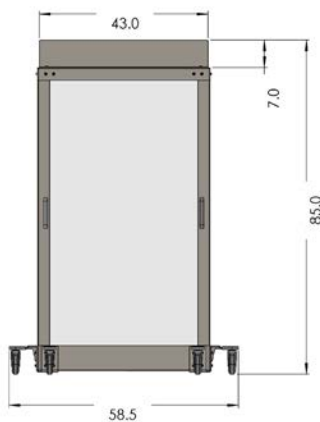
Interior armor plating = 1/4" ballistic steel

Exterior steel = 14 gauge

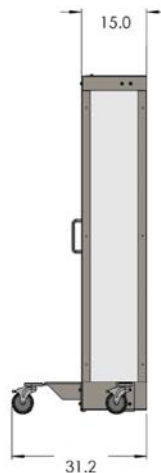
Whiteboard surfaces = non-staining magnetic

Casters = 5" full swivel, lockable

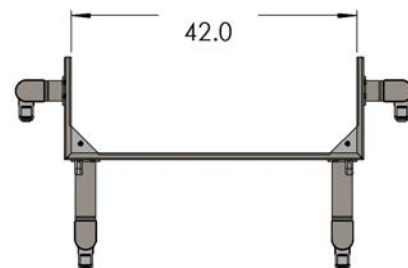
FRONT VIEW



SIDE VIEW



TOP VIEW



BALLISTIC PERFORMANCE

The MOBILEGuard Ballistic Door Barrier has been designed to meet the standard of Level III ballistic resistance as defined by the National Institute of Justice (NIJ III). In testing, the Door Barrier stopped multiple rounds of bullets up to 7.62mm ammunition commonly used in high-powered rifles.



EVERWhite[®]
WE CAN DO THAT!

1480 Independence Ave.
Hartford, Wis. 53027
800-335-7319
mobileguardsystem.com

MOBILEGuard[®]
Ballistic Panel System by EVERWhite

Learn More! Call EVERWhite at 800-335-7319, or visit mobileguardsystem.com